

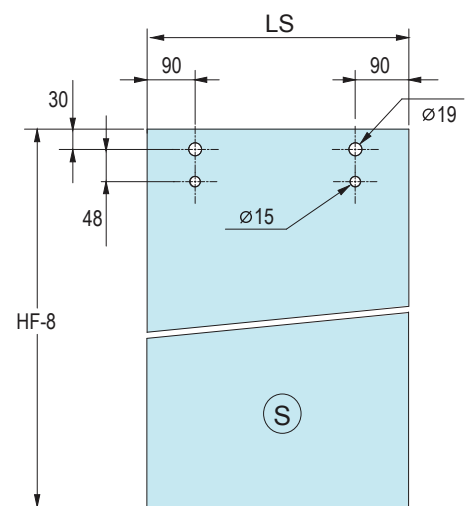
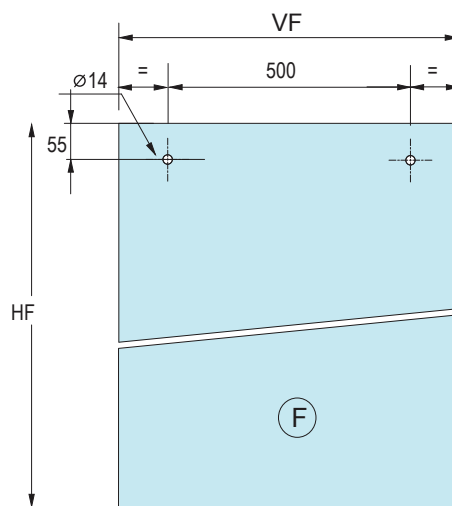
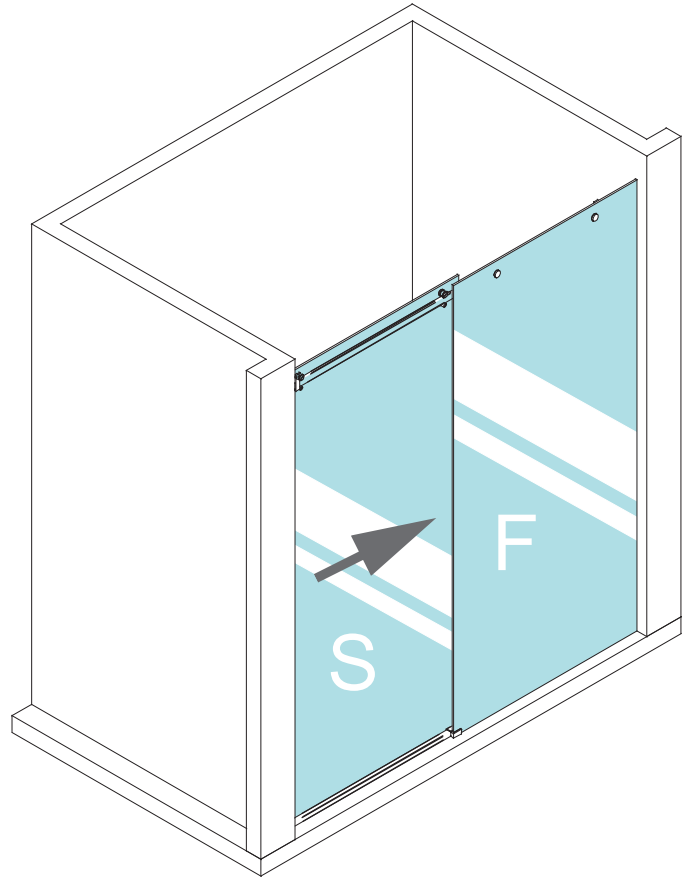
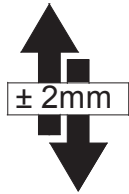
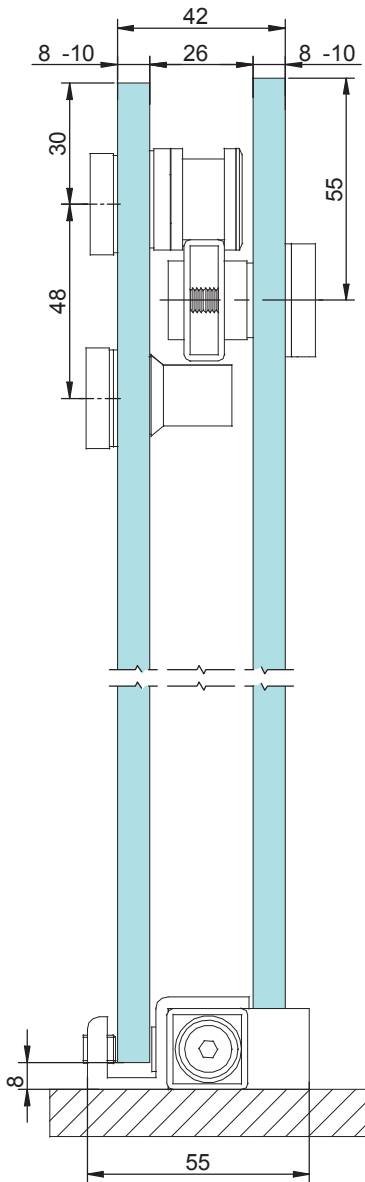


60 KG



6-8 mm

MURO/MURO  
WALL/WALL





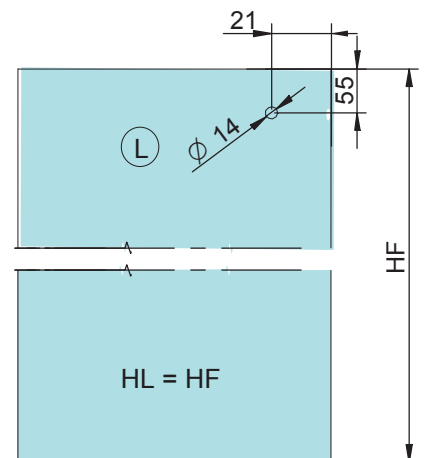
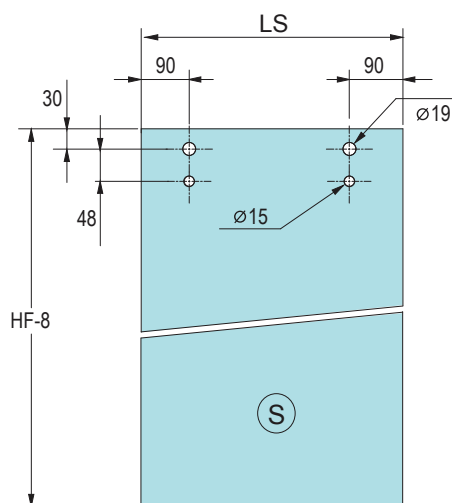
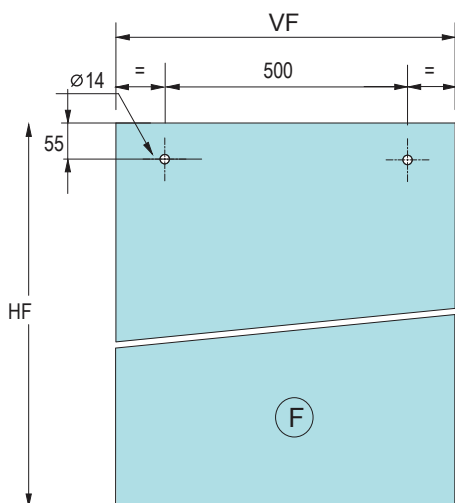
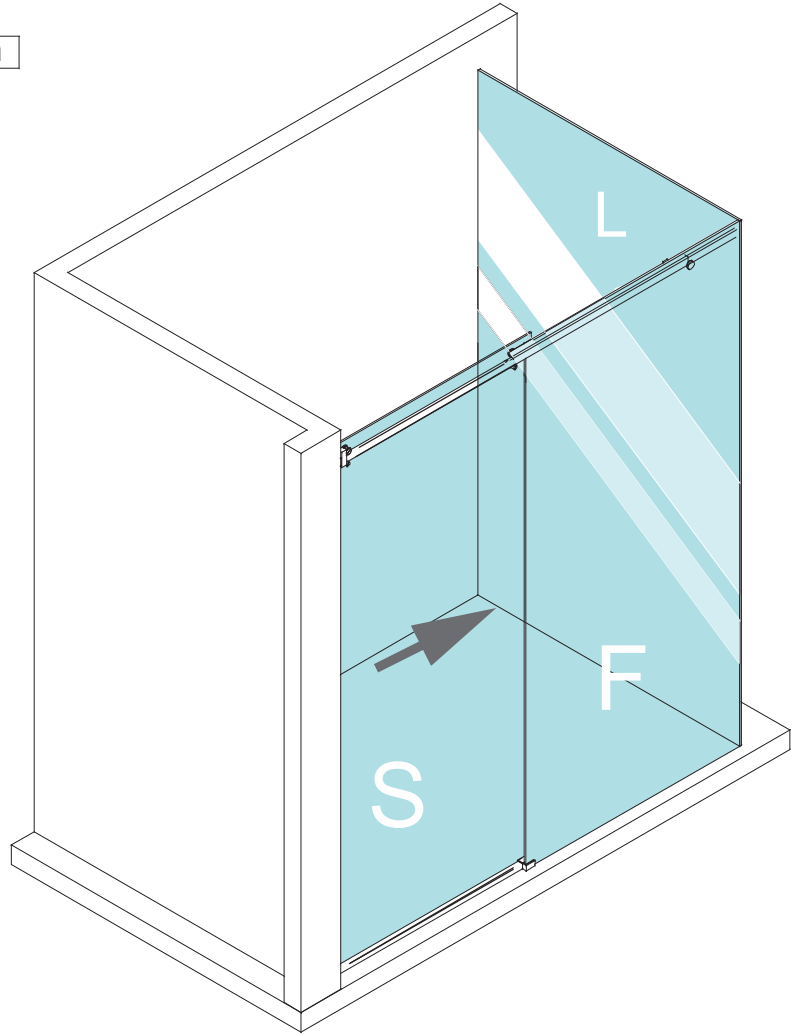
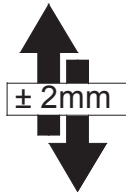
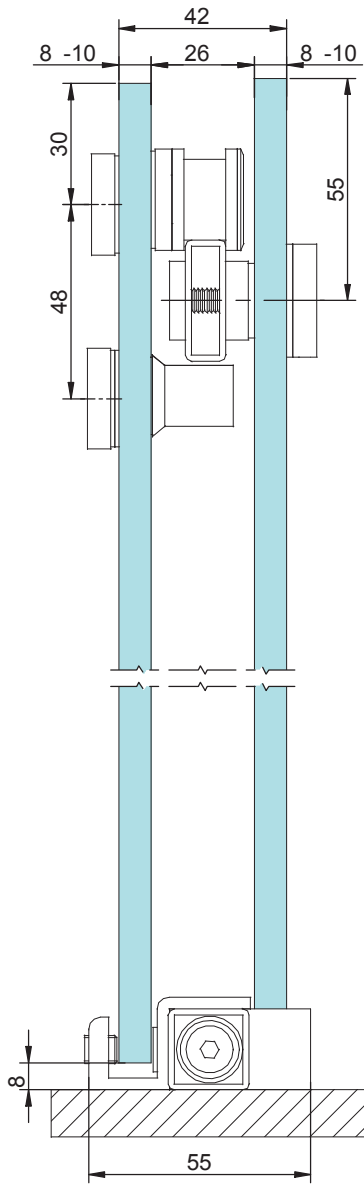
60 KG



6-8 mm

MURO/VETRO

WALL/GLASS



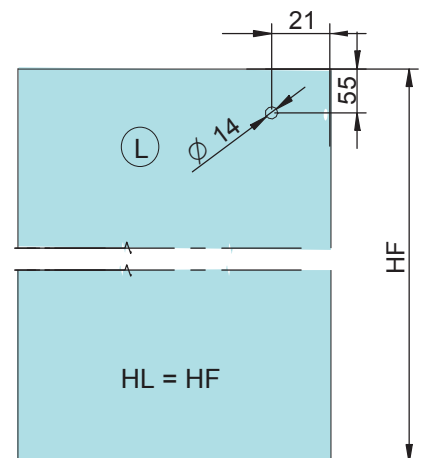
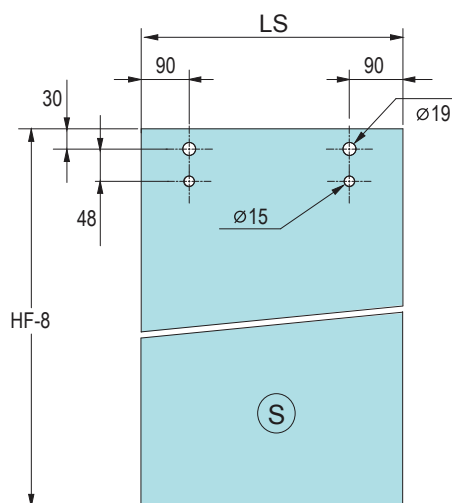
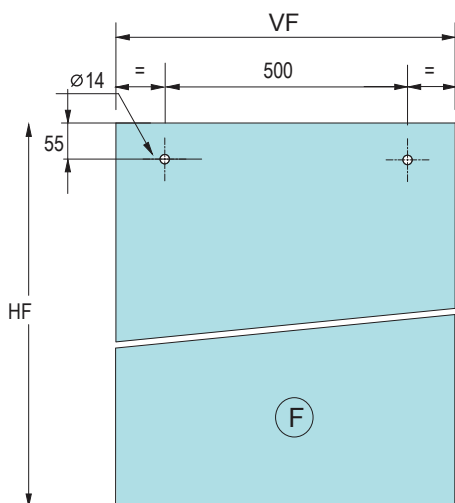
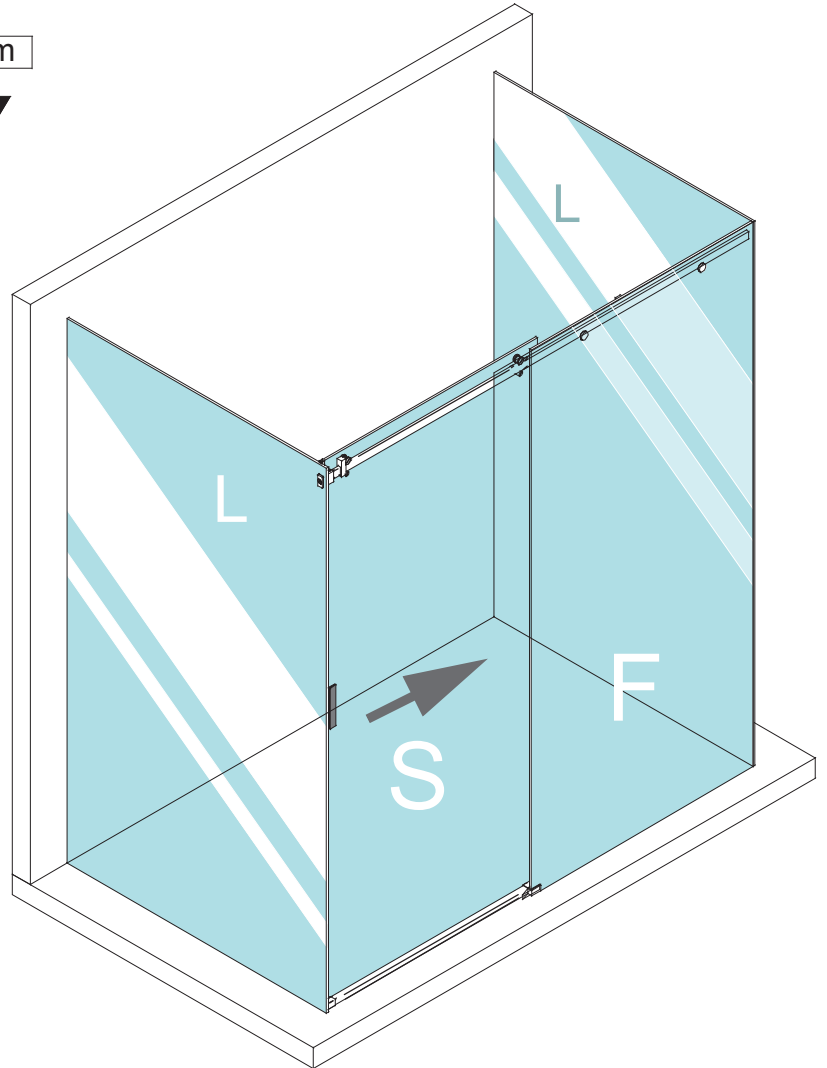
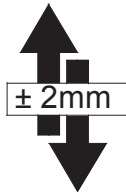
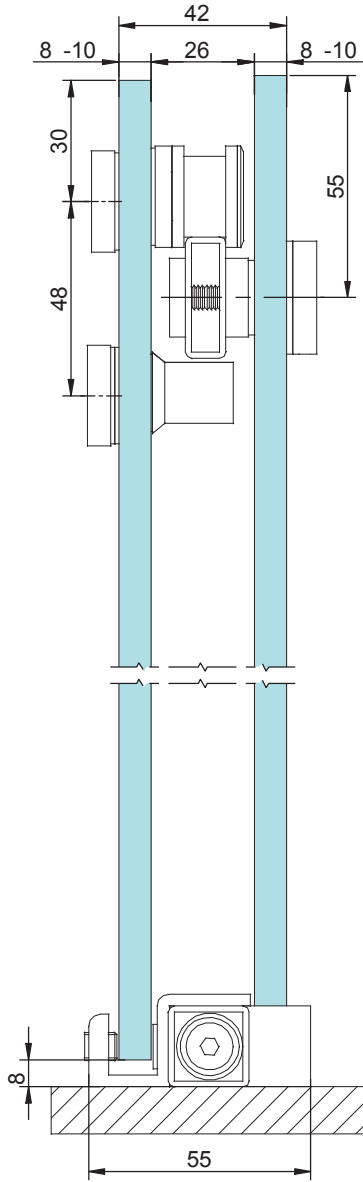


60 KG



6-8 mm

VETRO/VETRO  
GLASS/GLASS





60 KG



6-8 mm

ANGOLARE  
ANGLE

