



60 KG

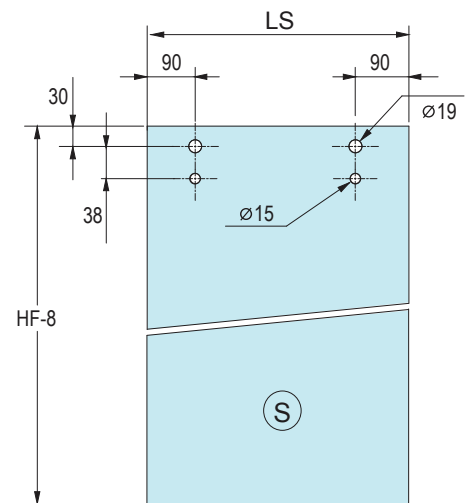
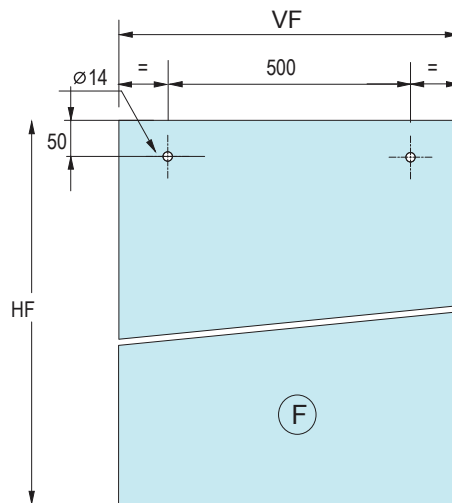
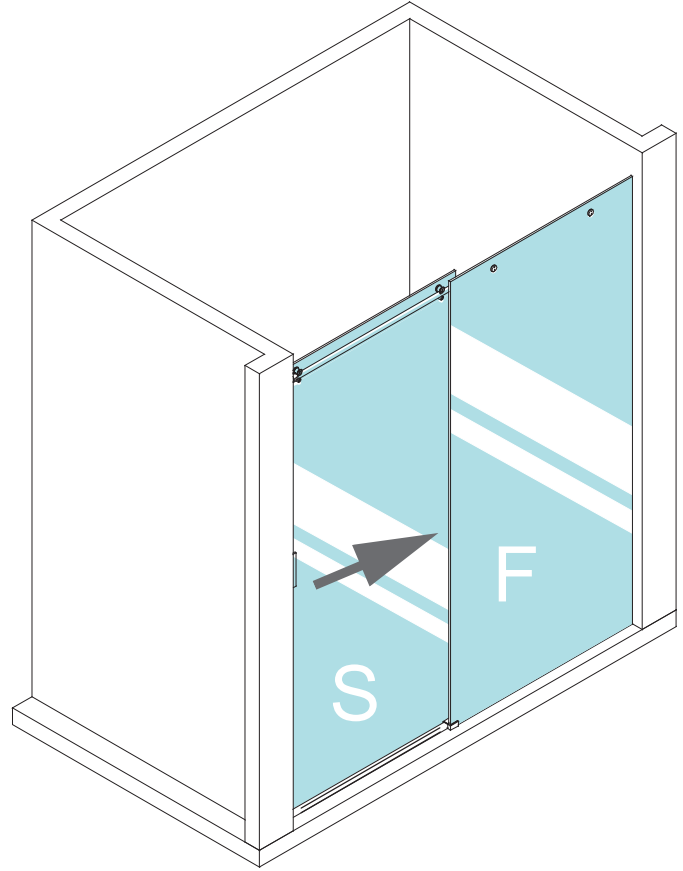
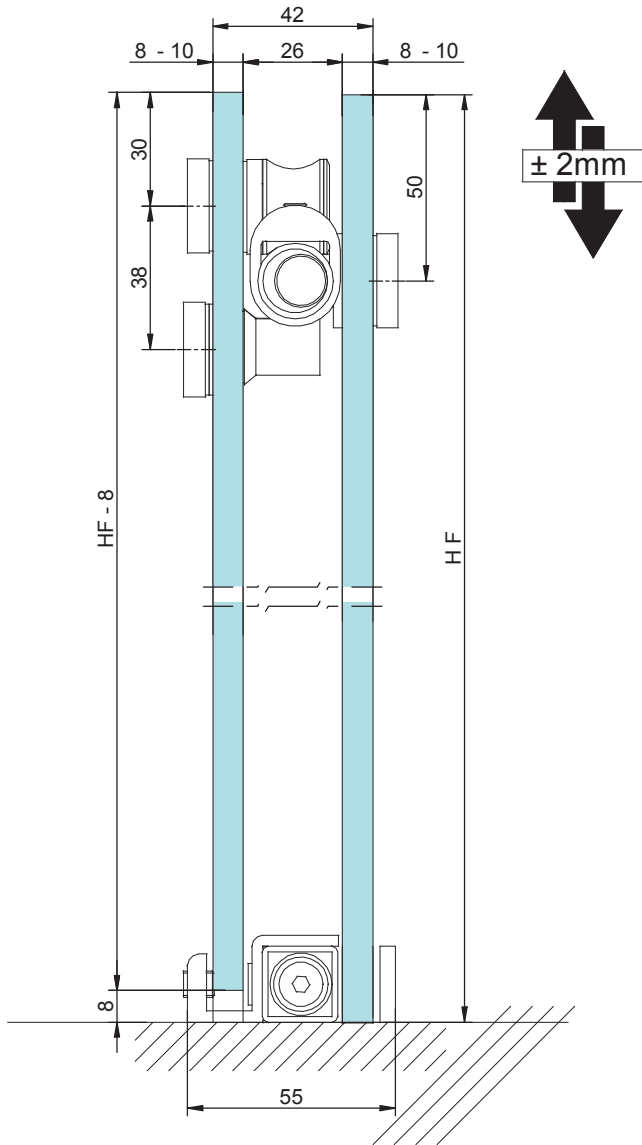


6-8 mm



20 mm

MURO/MURO
WALL/WALL





60 KG



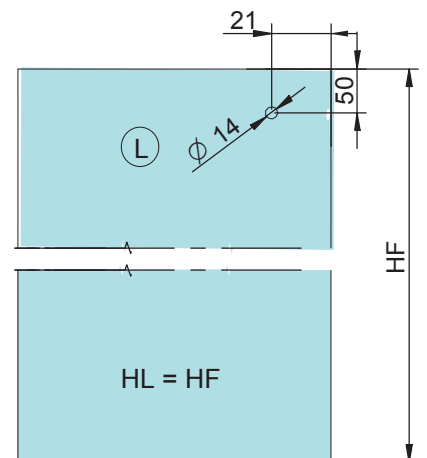
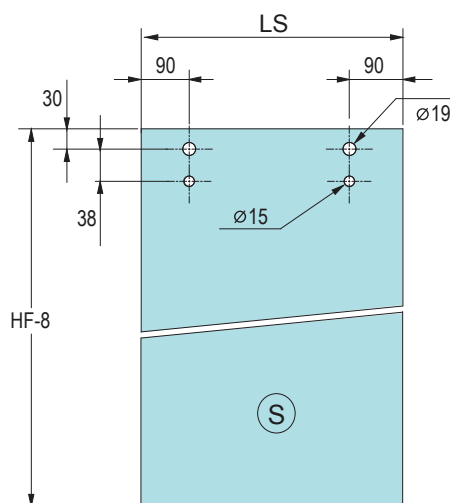
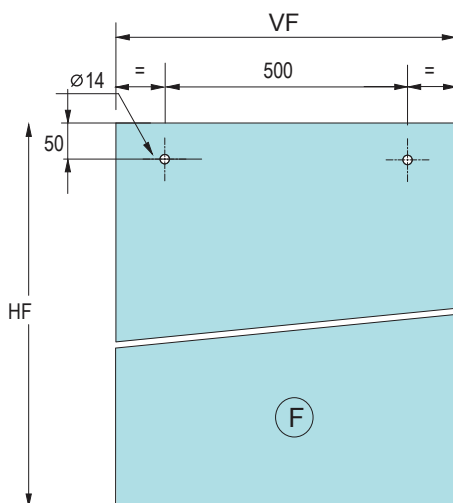
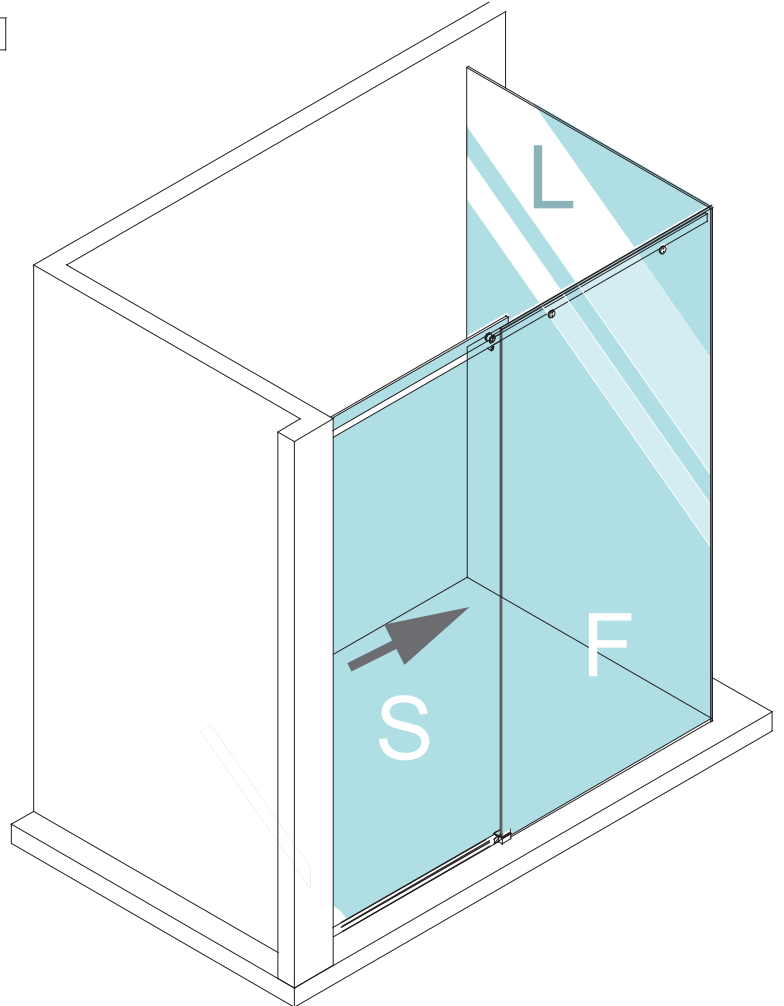
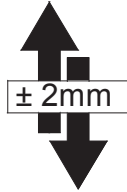
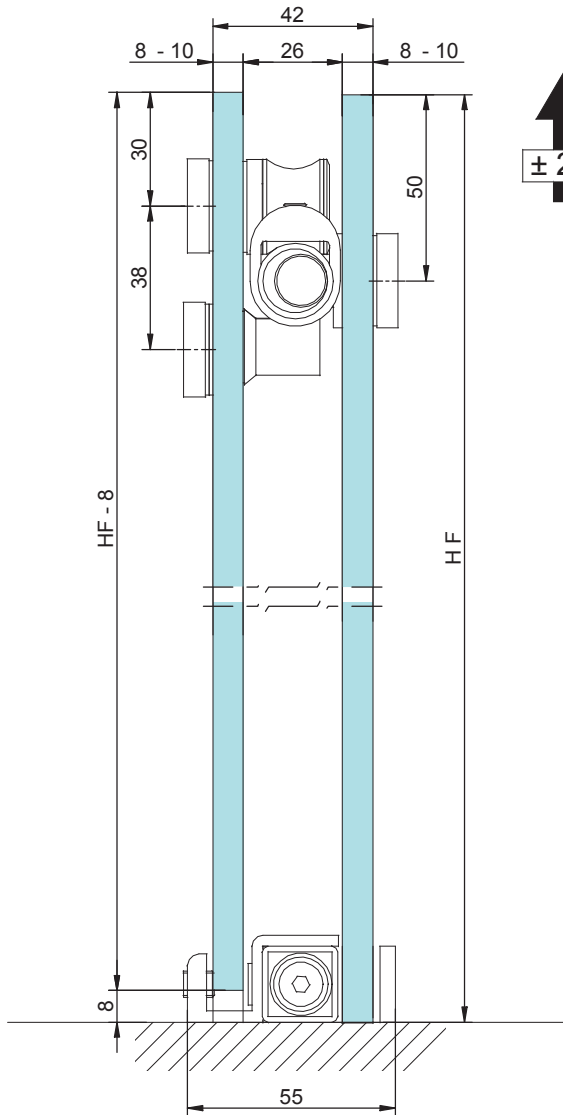
6-8 mm



20 mm

MURO/VETRO

WALL/GLASS





60 KG



6-8 mm



20 mm

VETRO/VETRO
GLASS/GLASS

